

TELESCOPIC SKID STEER LOADER MOUNT

DIGGA
CONSTRUCTION GRADE
MACHINERY ATTACHMENTS



T E LESCOPIC P ILING & DRILLING E XTENSION

NEED THAT EXTRA REACH?

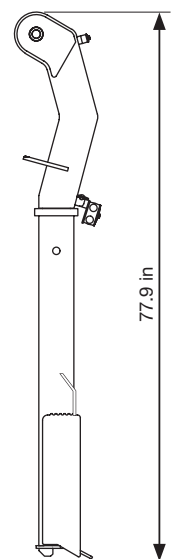
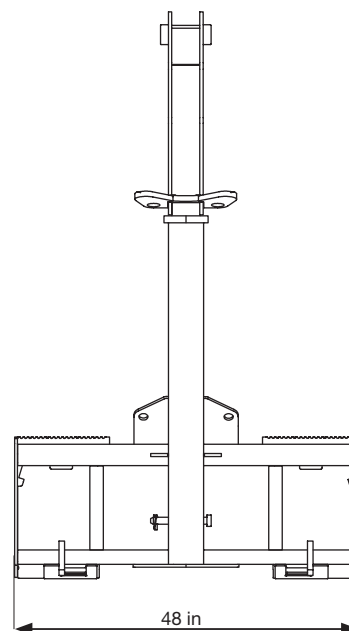
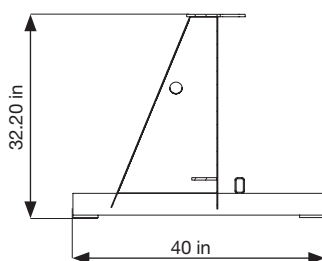
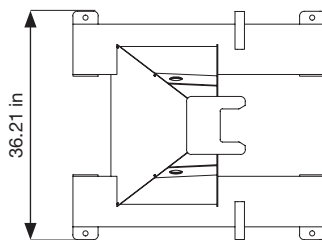
The Telescopic Piling and Drilling Extension effectively increases your reach for added drilling depth or helical pile installation.

Features

- Provides 12 – 14 feet of ground clearance for helical piers or augers
- Unique design gives the operator greater range and visibility
- Engineered for drives up to 16,000 Ft-lbs

OPTIONAL TRANSPORT FRAME

Optional transport frame provides maximum stability and compact storage for transport & ease of fitment to machine.



Retracted

v1.01